



TECEprofil toilet module with Uni 750-cistern, installation height 750 mm

Article number: 9300291

DU 1: 1 pc.
DU 2: 10 pc.
DU 3: 60 pc.

Description:

Toilet module including "easy fit" flush plate assembly. For fitting to TECEprofil section tubes or for installation in metal or wooden stud-and-beam walls and as a pre-wall or corner module; also suitable for single block assembly.

Uni 750-cistern for actuation from above:

- Safety tank made of impact-resistant plastic, tested according to EN 14055
- Cistern fully pre-assembled and sealed
- Cistern connection with external thread R 1/2" on the side, compatible with quick adapters
- 8-litre tank volume; 6-litre pre-set standard flush volume, 4.5-litre flush volume can be set at any time; 3-litre partial flush volume for dual; immediate cleaning for dual-flush system; residual volume can be used for immediate cleaning flush.
- Insulated against condensation water
- For TECE flush plates and toilet flush handle
- Can be used as a single-flush or dual-flush cistern
- "easy fit" flush plate mounting
- Installation tunnel for service opening, can be shortened without tools
- Low-noise hydraulic filling valve, acoustic group 1 according to DIN 4109

Module frame:

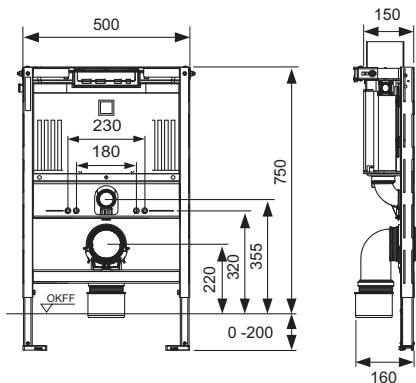
- self-supporting, powder-coated
- Two M 12 retaining bolts and nuts
- Toilet drain bend DN 90 with joint adapter DN 90/100, made of PP
- Joint adapter also suitable for horizontal installation
- Toilet connection set DN 90
- WC connection box including bare-wall protection with junction box

A raised ceramic attachment for a sitting height of 48 cm can be added in keeping with German standard DIN 18040 (DIN 18040: Barrier-free construction - Part 1: Publicly accessible buildings and workplaces).

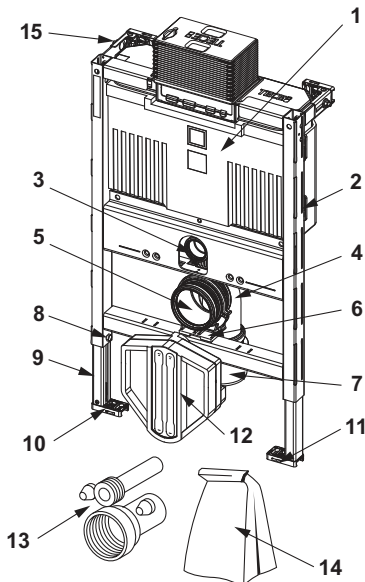
Sales data:

Product name: TECEprofil toilet module with Uni 750-cistern, installation height 750 mm
Commodity group: 905
Product group: 2009050010

Dimensional drawings:



Spare parts:



1	9820633	Uni 750-cistern
2	9820040	Assembly kit for Uni cistern
3	9820015	Flush pipe seal
4	9820134	Toilet drain bend DN 90 (PP)
5	9820139	Seal for toilet drain bend/adaptor
6	9820348	Toilet drain bend holder complete, mounting on cross-beam at bottom (from 04/2017)
7	9820136	Adapter DN 90/DN 100 (PP)
8	9820447	Foot brake with steel spring
9	9820335	C-section for module foot
10	9820332	Module foot with toggle left
11	9820333	Module foot with toggle right
12	9820592	Bare-wall protection for shower-toilet connection Uni 750-cistern
13	9820057	Connection set DN 90 for toilet
14	9820043	By-pack for toilet module (mounting material, etc.)
15	9820634	Module attachment with depth adjustment