

TECEdrainline-Evo shower channel, colour-coated

Article number: 600707

Nominal length: 700 mm

Total length L: 693 mm

Visible dim. after installation: 651 mm

Width in unfinished state: 111 mm

Visible width

after installation: 71 mm

Colour: Matt black

DU 1: 1 pc.

DU 2: 49 pc.

Description:

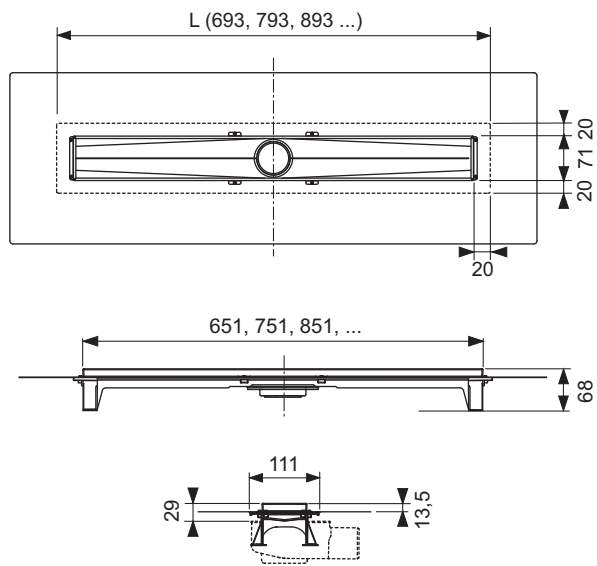
Coloured stainless steel channel body, including factory-fitted Seal System sealing collar with construction time protection for installation in the screed, for a DIN 18534-compliant connection of the TECEdrainline shower channel to the composite seal.

Consisting of:

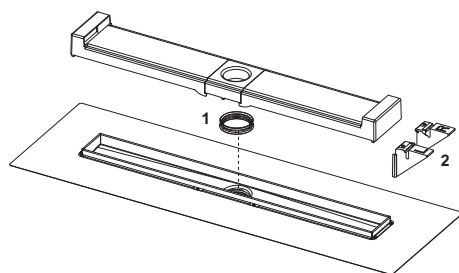
- Continuous closed channel body made of polished, coated stainless steel, material 1.4301 (304)
- Capillary protection edge to prevent capillary shower water entering under the tiles
- Backwater-proof secondary drainage via the glass-fibre reinforced plastic hard shell
- Seal System sealing collar attached at the factory for on-site incorporation into the liquid or sheet composite seal
- Construction time protection with tamper-evident seal for coated stainless steel channel and Seal System sealing collar
- Holder for mounting optional assembly feet and for anchoring in the screed
- Levelling points (left and right) for clipping and for forming a wider screed take-off edge for simplified levelling
- Central gutter socket for connecting the drain
- Internal slope to improve water drainage and self-cleaning effect
- Immersion pipe seal
- Optional secondary drainage

Sales data:

Product name: TECEdrainline-Evo shower channel, colour coated, matt black, 700 mm
 Commodity group: 600
 Product group: 3006000010



Spare parts:



- | | | |
|---|--------|---------------------|
| 1 | 668033 | Immersion pipe seal |
| 2 | 668034 | Levelling points |