

**TECEneo shower toilet**

Article number: 9700205

DU 1: 1 pc.

DU 2: 4 pc.

DU 3: 8 pc.

**Description:**

Water-saving, rimless toilet ceramic with integrated shower function for comfortable personal cleaning using water. Shower function without electricity via on-site hot and cold water connection, toilet ceramic for in-wall cisterns, simple new installation or retrofitting, individual combination options.

## Shower function features:

- Intuitive operation via side rotary knobs for water temperature and water volume
- Shower jet continuously adjustable up to 5.6 litres/min.
- Individually adjustable water temperature (max. 38 °C)
- Replaceable shower arm caps
- Approval according to EN 1717
- Minimum flow pressure 1.5 bar (max. 10 bar)
- Function via water pressure - no electrical connection required

## Features of toilet ceramic:

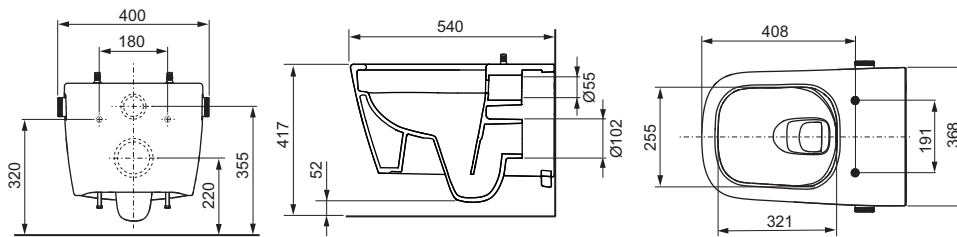
- Wall-hung washdown toilet for 6 and 4.5 litre flush volumes
- Cyclon flush technology (thorough and quiet flushing)
- Cera clean technology (special surface coating for easy cleaning)
- Compact design - projection 540 mm, installation spacing 180 mm
- Concealed wall attachment and concealed water connections
- Rimless ceramic with integrated splash guard
- Pre fix technology: factory-moulded toilet seat attachment for a wobble-free seat and lid (compatible with all TECE shower toilet seats)
- Material: White ceramic
- Hygiene-optimised ceramic design
- Certified to EN 997
- Dimensions (W x H x D): 368 x 365 x 540 mm

## Scope of supply:

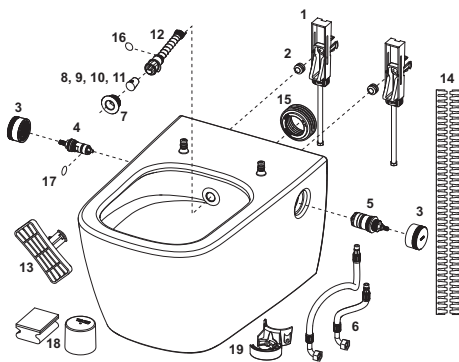
- Toilet ceramic including concealed toilet mounting
- Pre-assembled designer rotary knobs in brushed stainless steel
- Reinforced hoses for water connection to standard corner valves
- Sound insulation
- Shower arm installation tool
- Device for descaling unit
- Cleaning box

**Sales data:**

Product name: TECEno shower toilet, hot and cold water, white  
Commodity group: 950  
Product group: 2009500070



## Spare parts:



- |    |         |   |
|----|---------|---|
| 1  | 9820356 | Concealed mounting                            |
| 2  | 9820357 | Knurled nut (2 x) for concealed mounting      |
| 3  | 9700606 | Control knob, matt black                      |
|    | 9700608 | Control knob, brushed stainless steel         |
| 4  | 9820469 | Ceramic cartridge including EN 1717 safeguard |
| 5  | 9820360 | Thermostatic cartridge                        |
| 6  | 9820471 | Reinforced hoses (from 2021)                  |
| 7  | 9820364 | Rosette, white                                |
| 8  | 9820403 | Shower nozzle cap (3 x) "standard" 75°, white |
| 9  | 9820404 | Shower nozzle cap (3 x) "standard" 90°, white |
| 10 | 9820405 | Shower nozzle cap (3 x) "medium" 90°, white   |
| 11 | 9820406 | Shower nozzle cap (3 x) "small" 90°, white    |
| 12 | 9820363 | Shower arm complete set, white                |
| 13 | 9820422 | Removal tool shower arm                       |
| 14 | 9820351 | Sound insulation tape                         |
| 15 | 9820484 | Seal for flush pipe connection                |
| 16 | 9820585 | O-ring for shower arm spring retainer         |
| 17 | 9820586 | O-ring for safety device EN 1717              |
| 18 | 9700605 | Cleaning box for shower bar                   |
| 19 | 9820697 | Bracket for descaling unit                    |